

|   | A       | B   | C        | D                 | E       |
|---|---------|---|----------|-------------------|---------|
| 1 | Code    | Name  | Quantity | Howdens Price exc | RRP inc |
| 2 | HKB1004 | BTP1600 Contemporary Bath Filler Tap Chrome | 1392     | £54.20            | £129.99 |
| 3 | HKB1005 | BTP1602 Square Bath Filler Tap Chrome       | 1096     | £51.20            | £139.99 |
| 4 | HKB1001 | BTP0600 Contemporary Basin Tap Chrome       | 972      | £28.82            | £69.99  |
| 5 | HKB1003 | BTP0100 Cloakroom Tap Chrome                | 668      | £20.80            | £49.99  |
| 6 | HKB1002 | BTP0602 Square Basin Tap Chrome             | 324      | £33.66            | £79.99  |
| 7 |         |   |          |                   |         |
| 8 |         |   |          |                   |         |
| 9 |         |   |          |                   |         |

|                         |           |
|-------------------------|-----------|
| <b>Product finish</b>   | Chrome    |
| <b>Product category</b> | Cloakroom |
| <b>Boxed weight</b>     | 1.08 kg   |

|                       |               |
|-----------------------|---------------|
| <b>TAP code</b>       | BTP0100       |
| <b>HK order code</b>  | HKB1003       |
| <b>EAN 13 barcode</b> | 5050025753608 |



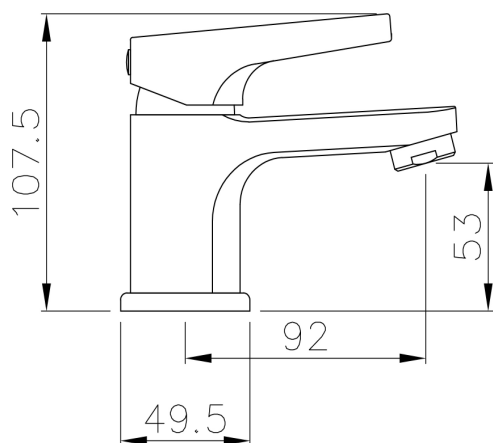
**Product features:**

- Luscious chromium plate finish
- Supplied complete with flexible tail pipes for fast simple fitting
- Modern minimalism with flair
- Single lever control for effortless single handed control
- Metal construction throughout

**Additional information / Parts included:**

2 x M6 x 60mm stud, 2 x M6 nut, 1 x metal horseshoe washer, 1 x metal horseshoe washer, 1 x rubber base seal, 2 x spare hose o-ring

**Product dimensions:**

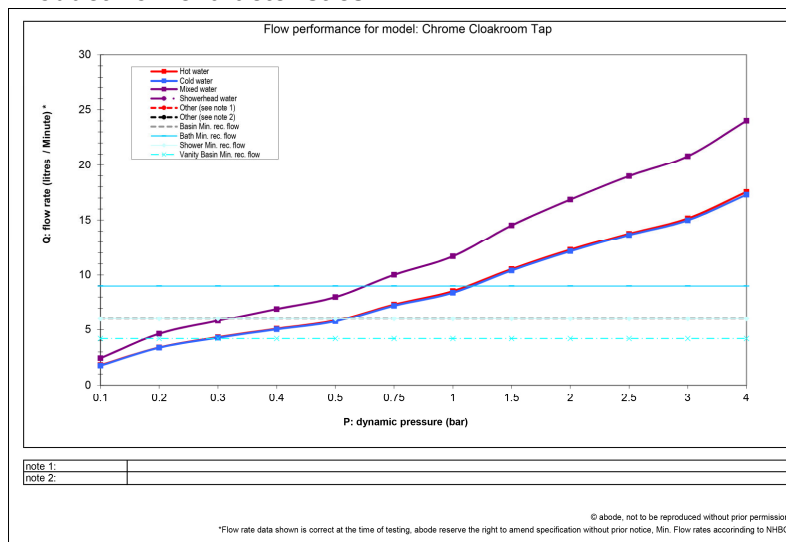


- **Overall Height / projection:** 107.5 mm
- **Exit reach:** 92 mm
- **Exit height:** 53 mm
- **Centre distance(s):** N/A mm

- **Base diameter(s):** 49.5 mm
- **Recommended hole diameter:** 35 mm
- **Max. surface depth:** 30 mm

- **Branding position:** N/A
- **Hot / Cold indication:** N/A

**Product flow characteristics:**



\*Flow results are produced under test conditions and represent the non flow regulated dynamic output of the product model.

|                        | 0.1 bar (1 meter head) | 1.0 bar (10 meters head) | 3.0 bar (30 meters head) |
|------------------------|------------------------|--------------------------|--------------------------|
| Hot only flow (l/min)  | 1.81                   | 8.54                     | 11.15                    |
| Cold only flow (l/min) | 1.76                   | 8.39                     | 14.98                    |
| Mixed flow (l/min)     | 2.43                   | 11.68                    | 20.81                    |

- **Min / Max water pressure** 0.20 / 5 bar
- **Recommended / Max water temperature:** 46°C / 70°C
- **Part G: Unrestricted mixed flow rate, 3 bar (litres / min):** 20.81

- **Control valve type:** Single lever
- **Valve detail:** 35mm

- **Product flow characteristics:** Single flow
- **Non return valve(s) supplied:** No
- **NRV required for byelaw compliance:** Yes

**Inlet pipes:**

- **Tail pipe inlet / outlet size:** 1/2" F / M10
- **Inlet pipe type / length:** flexible / 360 mm

**Spout detail:**

- **Spout diameter:** 15 x 33 mm
- **Spout aerator size:** M24 F
- **Spout rotation range:** No
- **Aerator type:** Flow straightener (White)
- **Aerator detail:** Part (A2 & A3) Aerator & Seal must have WRAS & ACS approval
- **Spout connection method:** N/A

**Packaged properties:**

|   |                            |
|---|----------------------------|
| <b>Box length:</b> 190 mm                         | <b>Box depth:</b> 100 mm   |
| <b>Box width:</b> 170 mm                          | <b>Units per outer:</b> 12 |
| <b>Box design:</b> Plain White Box (brown inside) |                            |
| <b>Card box grade:</b> Single wall                |                            |

|  |
|--|
| <b>Tap only weight:</b> 0.59 kg          |
| <b>Boxed weight:</b> 1.08 kg             |
| <b>Pallet dimensions:</b> 1200 x 1000 mm |
| <b>Pallet weight:</b> 450 kg             |

**Warranty Summary (Full details available on request):**

- Materials and workmanship defects warranted for 2 year
- Valves and working parts warranted for 2 year
- Surface warranty defects warranted for 1 year
- O-rings, hoses & gaskets warranted for 1 year

**Care instructions:**

- Clean the mixers and showers regularly as required, using soap, do not use any other cleaners.
- Regular cleaning will prevent the build up of lime scale and dirt
- After cleaning rinse thoroughly with clean water to remove any cleaner residue
- Residues of sink & worktop cleaners can also cause damage, so rinse with clean water after using, avoid contact with any abrasives

|                         |         |
|-------------------------|---------|
| <b>Product finish</b>   | Chrome  |
| <b>Product category</b> | Basin   |
| <b>Boxed weight</b>     | 1.44 kg |

|                       |               |
|-----------------------|---------------|
| <b>TAP code</b>       | BTP0600       |
| <b>HK order code</b>  | HKB1001       |
| <b>EAN 13 barcode</b> | 5050025753585 |



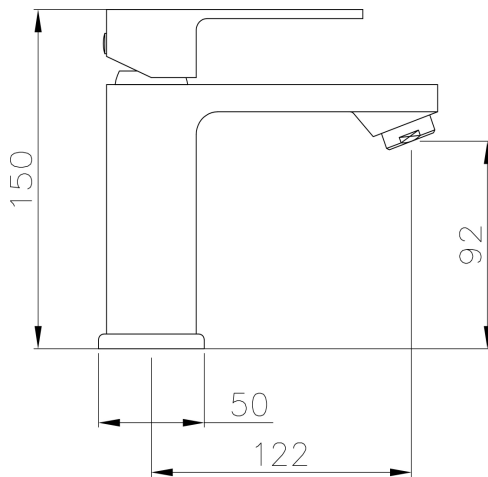
**Product features:**

- Luscious chromium plate finish
- Supplied complete with flexible tail pipes for fast simple fitting
- Modern minimalism with flair
- Single lever control for effortless single handed control
- Metal construction throughout

**Additional information / Parts included:**

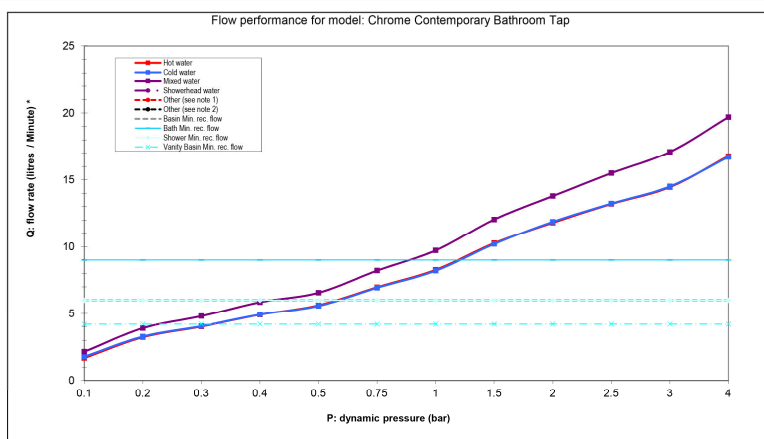
2 x M6 x 58mm stud, 2 x M6 nut, 1 x metal horseshoe washer, 1 x metal horseshoe washer, 1 x rubber base seal, 2 x spare hose o-ring

**Product dimensions:**



- **Overall Height / projection:** 150 mm
- **Exit reach:** 122 mm
- **Exit height:** 92 mm
- **Centre distance(s):** N/A mm
- **Base diameter(s):** 50 mm
- **Recommended hole diameter:** 35 mm
- **Max. surface depth:** 30 mm
- **Branding position:** N/A
- **Hot / Cold indication:** N/A

**Product flow characteristics:**



note 1:  
note 2:

© abode, not to be reproduced without prior permission  
\*Flow rate data shown is correct at the time of testing, abode reserve the right to amend specification without prior notice, Min. Flow rates according to NHBC

\*Flow results are produced under test conditions and represent the non flow regulated dynamic output of the product model.

|                        | 0.1 bar (1 meter head) | 1.0 bar (10 meters head) | 3.0 bar (30 meters head) |
|------------------------|------------------------|--------------------------|--------------------------|
| Hot only flow (l/min)  | 1.67                   | 8.27                     | 14.46                    |
| Cold only flow (l/min) | 1.77                   | 8.20                     | 14.51                    |
| Mixed flow (l/min)     | 2.14                   | 9.72                     | 17.10                    |

- **Min / Max water pressure** 0.30 / 5 bar
- **Recommended / Max water temperature:** 46°C / 70°C
- **Part G: Unrestricted mixed flow rate, 3 bar (litres / min):** 17.10

- **Control valve type:** Single lever
- **Valve detail:** 30mm

- **Product flow characteristics:** Single flow
- **Non return valve(s) supplied:** No
- **NRV required for byelaw compliance:** Yes

**Inlet pipes:**

- **Tail pipe inlet / outlet size:** 1/2" F / M10
- **Inlet pipe type / length:** flexible / 360 mm

**Spout detail:**

- **Spout diameter:** 39x32 mm
- **Spout aerator size:** M24 F
- **Spout rotation range:** No
- **Aerator type:** Flow straightener (Grey)
- **Aerator detail:** Part (A2 & A3) Aerator & Seal must have WRAS & ACS approval
- **Spout connection method:** N/A

**Packaged properties:**

|   |                            |
|---|----------------------------|
| <b>Box length:</b> 190 mm                         | <b>Box depth:</b> 100 mm   |
| <b>Box width:</b> 170 mm                          | <b>Units per outer:</b> 12 |
| <b>Box design:</b> Plain White Box (brown inside) |                            |
| <b>Card box grade:</b> Single wall                |                            |

|  |
|--|
| <b>Tap only weight:</b> 0.86 kg          |
| <b>Boxed weight:</b> 1.44 kg             |
| <b>Pallet dimensions:</b> 1200 x 1000 mm |
| <b>Pallet weight:</b> 430 kg             |

**Warranty Summary (Full details available on request):**

- Materials and workmanship defects warranted for 2 year
- Valves and working parts warranted for 2 year
- Surface warranty defects warranted for 1 year
- O-rings, hoses & gaskets warranted for 1 year

**Care instructions:**

- Clean the mixers and showers regularly as required, using soap, do not use any other cleaners.
- Regular cleaning will prevent the build up of lime scale and dirt
- After cleaning rinse thoroughly with clean water to remove any cleaner residue
- Residues of sink & worktop cleaners can also cause damage, so rinse with clean water after using, avoid contact with any abrasives

|                         |         |
|-------------------------|---------|
| <b>Product finish</b>   | Chrome  |
| <b>Product category</b> | Basin   |
| <b>Boxed weight</b>     | 1.70 kg |

|                       |               |
|-----------------------|---------------|
| <b>TAP code</b>       | BTP0602       |
| <b>HK order code</b>  | HKB1002       |
| <b>EAN 13 barcode</b> | 5050025753592 |



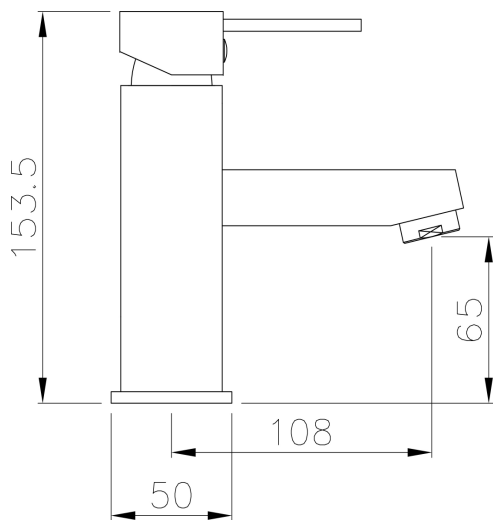
**Product features:**

- Luscious chromium plate finish
- Supplied complete with flexible tail pipes for fast simple fitting
- Crisp modernist design lines
- Single lever control for effortless single handed control
- Metal construction throughout

**Additional information / Parts included:**

2 x M6 x 58mm stud, 2 x M6 nut, 1 x metal horseshoe washer, 1 x metal horseshoe washer, 1 x rubber base seal, 2 x spare hose o-ring

**Product dimensions:**

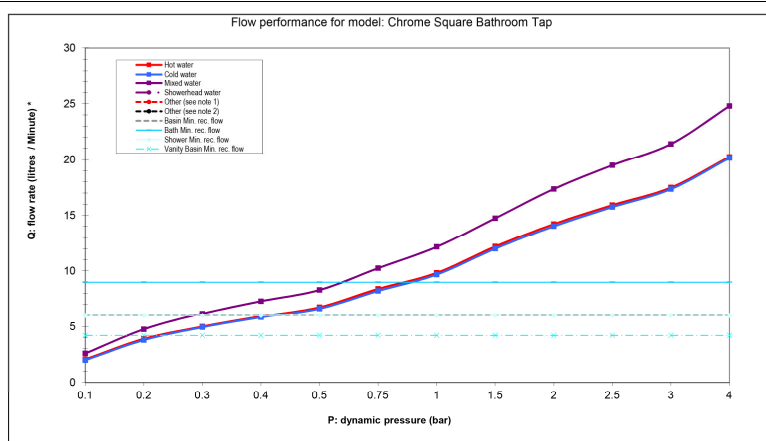


- **Overall Height / projection:** 153.5 mm
- **Exit reach:** 108 mm
- **Exit height:** 65 mm
- **Centre distance(s):** N/A mm

- **Base diameter(s):** 50 mm
- **Recommended hole diameter:** 35 mm
- **Max. surface depth:** 35 mm

- **Branding position:** N/A
- **Hot / Cold indication:** N/A

**Product flow characteristics:**



note 1:  
note 2:

© abode, not to be reproduced without prior permission  
\*Flow rate data shown is correct at the time of testing, abode reserve the right to amend specification without prior notice, Min. Flow rates according to NHBC

\*Flow results are produced under test conditions and represent the non flow regulated dynamic output of the product model.

|                        | 0.1 bar (1 meter head) | 1.0 bar (10 meters head) | 3.0 bar (30 meters head) |
|------------------------|------------------------|--------------------------|--------------------------|
| Hot only flow (l/min)  | 2.07                   | 9.83                     | 17.49                    |
| Cold only flow (l/min) | 1.99                   | 9.68                     | 17.35                    |
| Mixed flow (l/min)     | 2.59                   | 12.16                    | 21.41                    |

- **Min / Max water pressure** 0.20 / 5 bar
- **Recommended / Max water temperature:** 46°C / 70°C
- **Part G: Unrestricted mixed flow rate, 3 bar (litres / min):** 21.41

- **Control valve type:** Single lever
- **Valve detail:** 35mm

- **Product flow characteristics:** Single flow
- **Non return valve(s) supplied:** No
- **NRV required for byelaw compliance:** Yes

**Inlet pipes:**

- **Tail pipe inlet / outlet size:** 1/2" F / M10
- **Inlet pipe type / length:** flexible / 360 mm

**Spout detail:**

- **Spout diameter:** 22x30 mm
- **Spout aerator size:** M24 F
- **Spout rotation range:** No
- **Aerator type:** Flow straightener (Grey)
- **Aerator detail:** Part (A2 & A3) Aerator & Seal must have WRAS & ACS approval
- **Spout connection method:** Grub screw

**Packaged properties:**

|   |                            |
|---|----------------------------|
| <b>Box length:</b> 190 mm                         | <b>Box depth:</b> 100 mm   |
| <b>Box width:</b> 170 mm                          | <b>Units per outer:</b> 12 |
| <b>Box design:</b> Plain White Box (brown inside) |                            |
| <b>Card box grade:</b> Single wall                |                            |

|  |
|--|
| <b>Tap only weight:</b> 1.11 kg          |
| <b>Boxed weight:</b> 1.70 kg             |
| <b>Pallet dimensions:</b> 1200 x 1000 mm |
| <b>Pallet weight:</b> 500 kg             |

**Warranty Summary (Full details available on request):**

- Materials and workmanship defects warranted for 2 year
- Valves and working parts warranted for 2 year
- Surface warranty defects warranted for 1 year
- O-rings, hoses & gaskets warranted for 1 year

**Care instructions:**

- Clean the mixers and showers regularly as required, using soap, do not use any other cleaners.
- Regular cleaning will prevent the build up of lime scale and dirt
- After cleaning rinse thoroughly with clean water to remove any cleaner residue
- Residues of sink & worktop cleaners can also cause damage, so rinse with clean water after using, avoid contact with any abrasives

|                         |         |
|-------------------------|---------|
| <b>Product finish</b>   | Chrome  |
| <b>Product category</b> | Bath    |
| <b>Boxed weight</b>     | 1.99 kg |

|                       |              |
|-----------------------|--------------|
| <b>TAP code</b>       | BTP1600      |
| <b>HK order code</b>  | HKB1004      |
| <b>EAN 13 barcode</b> | 505002575572 |



**Product features:**

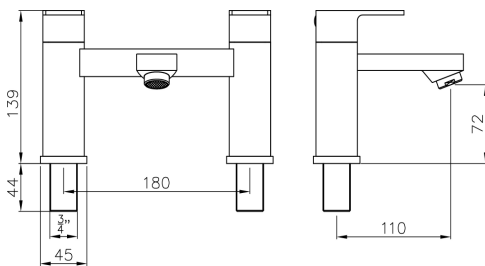
- Luscious chromium plate finish
- Quarter turn handle action for precise flow control
- Modern minimalism with flair
- Supplied with fixed 3/4" inlets for maximum stability and flow
- Metal construction throughout

**Additional information / Parts included:**

2 x 3/4" BSP plastic hex fixing nuts, 2 x O-ring seals, 2 x base plinths, 2 x 3/4" washers

**Product dimensions:**

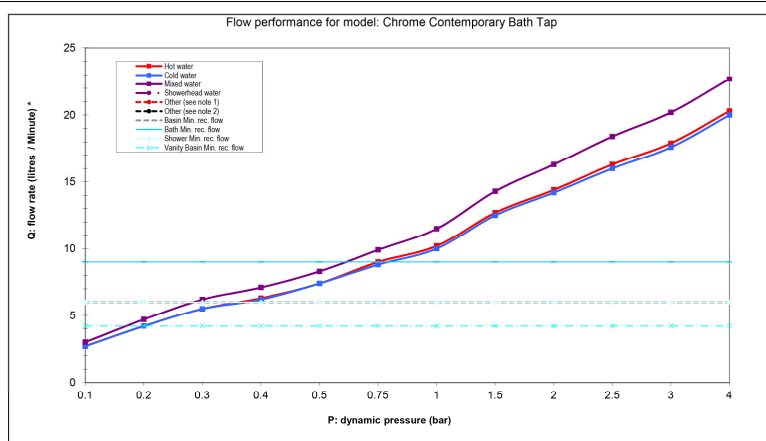
- **Overall Height / projection:** 139 mm
- **Exit reach:** 110 mm
- **Exit height:** 72 mm
- **Centre distance(s):** 180 mm



- **Base diameter(s):** 45 mm
- **Recommended hole diameter:** 30-35 mm
- **Max. surface depth:** 35 mm

- **Branding position:** N/A
- **Hot / Cold indication:** N/A

**Product flow characteristics:**



note 1:  
note 2:

\*Flow results are produced under test conditions and represent the non flow regulated dynamic output of the product model.



|                        | 0.1 bar (1 meter head) | 1.0 bar (10 meters head) | 3.0 bar (30 meters head) |
|------------------------|------------------------|--------------------------|--------------------------|
| Hot only flow (l/min)  | 2.70                   | 10.00                    | 17.90                    |
| Cold only flow (l/min) | 2.70                   | 10.20                    | 17.60                    |
| Mixed flow (l/min)     | 3.00                   | 11.50                    | 20.20                    |

- **Min / Max water pressure** 0.70 / 5 bar
- **Recommended / Max water temperature:** 46°C / 70°C
- **Part G: Unrestricted mixed flow rate, 3 bar (litres / min):** 20.20

- **Control valve type:** 3/4" QT CD
- **Valve detail:** 3/4 x 46.5 x 24

- **Product flow characteristics:** Single flow
- **Non return valve(s) supplied:** No
- **NRV required for byelaw compliance:** Yes

**Inlet pipes:**

- **Tail pipe inlet / outlet size:** 3/4" M / N/A
- **Inlet pipe type / length:** fixed / 44 mm

**Spout detail:**

- **Spout diameter:** 39 x 32 mm
- **Spout aerator size:** M24 F
- **Spout rotation range:** No
- **Aerator type:** Flow straightener (Grey)
- **Aerator detail:** Part (A2 & A3) Aerator & Seal must have WRAS & ACS approval
- **Spout connection method:** Grub screw

**Packaged properties:**

|   |                           |
|---|---------------------------|
| <b>Box length:</b> 250 mm                         | <b>Box depth:</b> 190 mm  |
| <b>Box width:</b> 180 mm                          | <b>Units per outer:</b> 8 |
| <b>Box design:</b> Plain White Box (brown inside) |                           |
| <b>Card box grade:</b> Single wall                |                           |

|  |
|--|
| <b>Tap only weight:</b> 1.68 kg          |
| <b>Boxed weight:</b> 1.99 kg             |
| <b>Pallet dimensions:</b> 1200 x 1000 mm |
| <b>Pallet weight:</b> 385 kg             |

**Warranty Summary (Full details available on request):**

- Materials and workmanship defects warranted for 2 year
- Valves and working parts warranted for 2 year
- Surface warranty defects warranted for 1 year
- O-rings, hoses & gaskets warranted for 1 year

**Care instructions:**

- Clean the mixers and showers regularly as required, using soap, do not use any other cleaners.
- Regular cleaning will prevent the build up of lime scale and dirt
- After cleaning rinse thoroughly with clean water to remove any cleaner residue
- Residues of sink & worktop cleaners can also cause damage, so rinse with clean water after using, avoid contact with any abrasives

|                         |         |
|-------------------------|---------|
| <b>Product finish</b>   | Chrome  |
| <b>Product category</b> | Bath    |
| <b>Boxed weight</b>     | 2.26 kg |

|                       |               |
|-----------------------|---------------|
| <b>TAP code</b>       | BTP1602       |
| <b>HK order code</b>  | HKB1005       |
| <b>EAN 13 barcode</b> | 5050025755589 |



**Product features:**

- Luscious chromium plate finish
- Quarter turn handle action for precise flow control
- Crisp modernist design lines
- Supplied with fixed 3/4" inlets for maximum stability and flow
- Metal construction throughout

**Additional information / Parts included:**

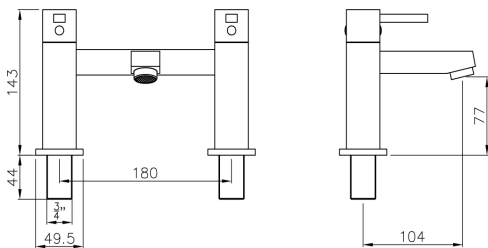
2 x 3/4" BSP plastic hex fixing nuts, 2 x O-ring seals, 2 x base plinths, 2 x 3/4" washers

**Product dimensions:**

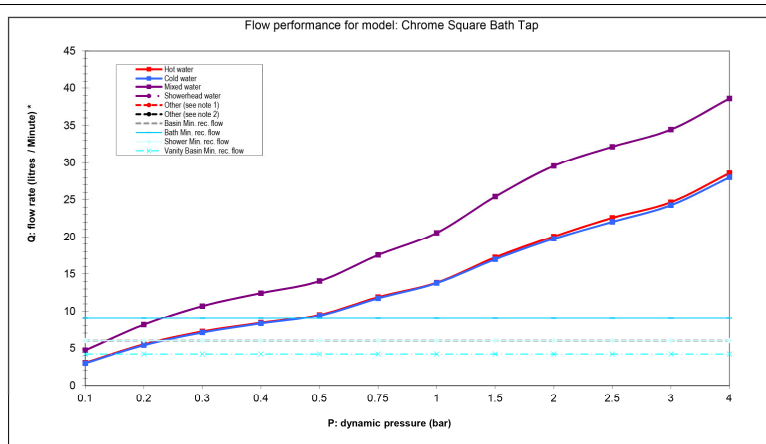
- **Overall Height / projection:** 143 mm
- **Exit reach:** 104 mm
- **Exit height:** 77 mm
- **Centre distance(s):** 180 mm

- **Base diameter(s):** 49.5 mm
- **Recommended hole diameter:** 30-35 mm
- **Max. surface depth:** 35 mm

- **Branding position:** N/A
- **Hot / Cold indication:** N/A



**Product flow characteristics:**



note 1:  
note 2:

\*Flow results are produced under test conditions and represent the non flow regulated dynamic output of the product model.

|                        | 0.1 bar (1 meter head) | 1.0 bar (10 meters head) | 3.0 bar (30 meters head) |
|------------------------|------------------------|--------------------------|--------------------------|
| Hot only flow (l/min)  | 3.05                   | 13.84                    | 24.67                    |
| Cold only flow (l/min) | 2.98                   | 13.78                    | 24.27                    |
| Mixed flow (l/min)     | 4.70                   | 20.55                    | 34.46                    |

- **Min / Max water pressure** 0.30 / 5 bar
- **Recommended / Max water temperature:** 46°C / 70°C
- **Part G: Unrestricted mixed flow rate, 3 bar (litres / min):** 34.46

- **Control valve type:** 3/4" QT CD
- **Valve detail:** 3/4 x 46.5 x 24

- **Product flow characteristics:** Single flow
- **Non return valve(s) supplied:** No
- **NRV required for byelaw compliance:** Yes

**Inlet pipes:**

- **Tail pipe inlet / outlet size:** 3/4" M / N/A
- **Inlet pipe type / length:** fixed / 44 mm

**Spout detail:**

- **Spout diameter:** 30 x 22 mm
- **Spout aerator size:** M24 F
- **Spout rotation range:** No
- **Aerator type:** Flow straightener (Grey)
- **Aerator detail:** Part (A2 & A3) Aerator & Seal must have WRAS & ACS approval
- **Spout connection method:** Grub screw

**Packaged properties:**

|   |                           |
|---|---------------------------|
| <b>Box length:</b> 250 mm                         | <b>Box depth:</b> 190 mm  |
| <b>Box width:</b> 180 mm                          | <b>Units per outer:</b> 8 |
| <b>Box design:</b> Plain White Box (brown inside) |                           |
| <b>Card box grade:</b> Single wall                |                           |

|  |
|--|
| <b>Tap only weight:</b> 1.95 kg          |
| <b>Boxed weight:</b> 2.26 kg             |
| <b>Pallet dimensions:</b> 1200 x 1000 mm |
| <b>Pallet weight:</b> 425 kg             |

**Warranty Summary (Full details available on request):**

- Materials and workmanship defects warranted for 2 year
- Valves and working parts warranted for 2 year
- Surface warranty defects warranted for 1 year
- O-rings, hoses & gaskets warranted for 1 year

**Care instructions:**

- Clean the mixers and showers regularly as required, using soap, do not use any other cleaners.
- Regular cleaning will prevent the build up of lime scale and dirt
- After cleaning rinse thoroughly with clean water to remove any cleaner residue
- Residues of sink & worktop cleaners can also cause damage, so rinse with clean water after using, avoid contact with any abrasives